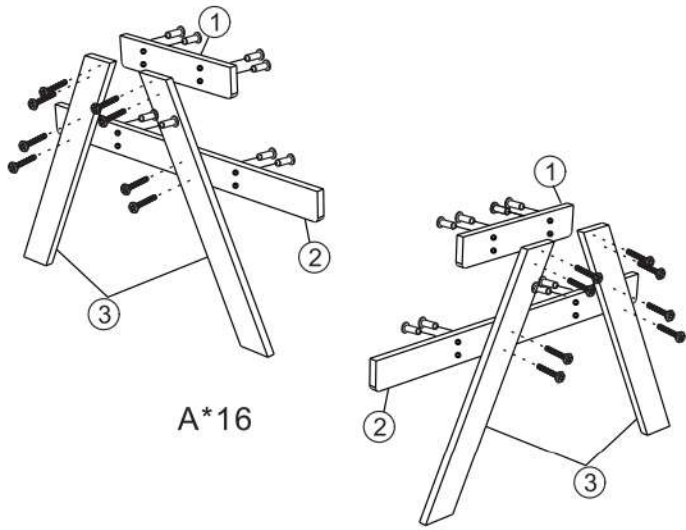
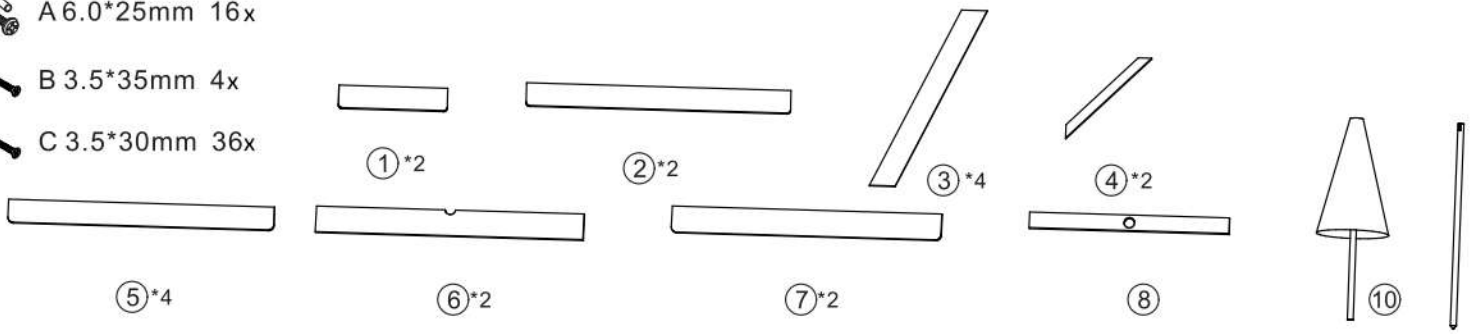


PADY

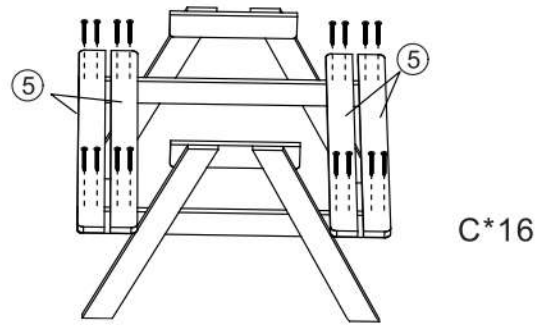
A 6.0*25mm 16x

B 3.5*35mm 4x

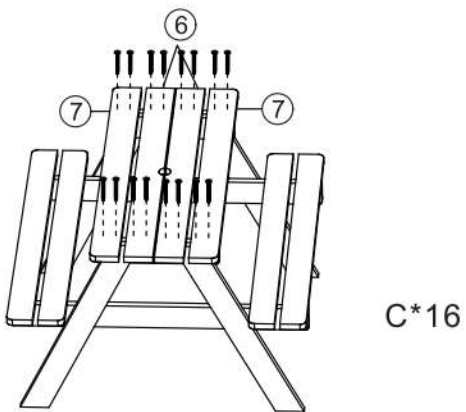
C 3.5*30mm 36x



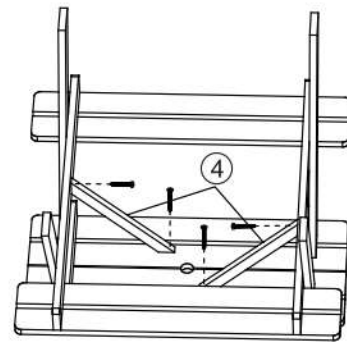
1



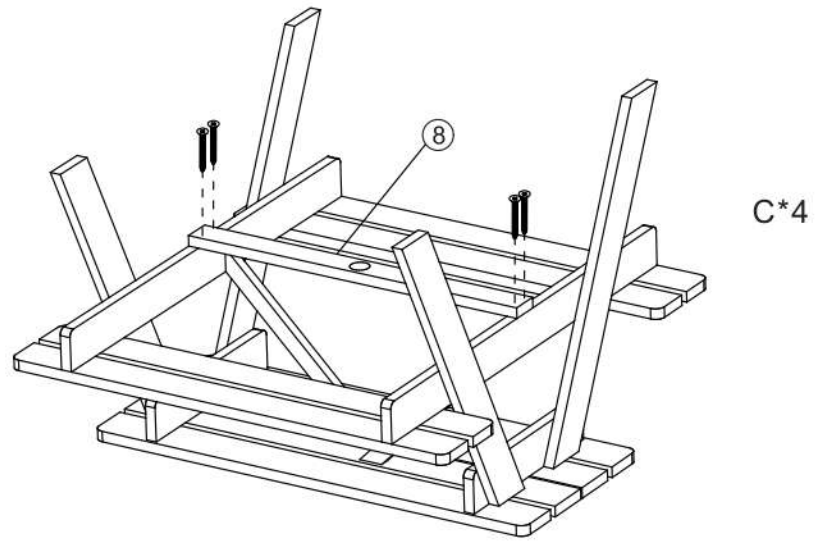
2



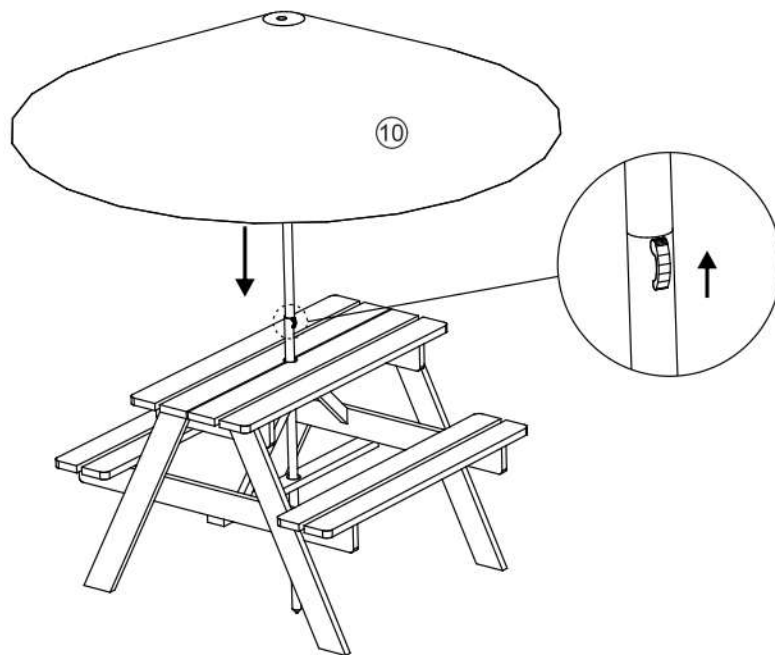
3



4



5



6